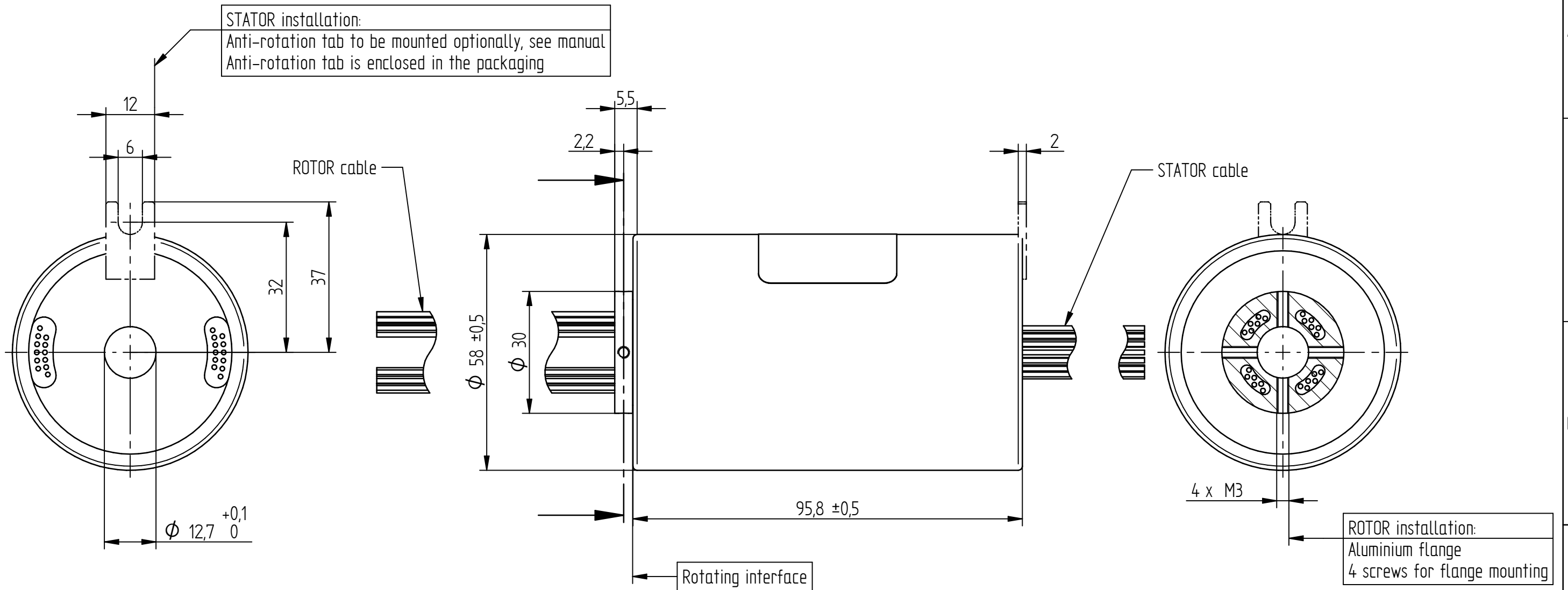


All drawings are the property of Schleifring GmbH/ Germany and are to be treated as confidential. The reproduction, distribution and utilization as well as the communication of its contents to others without express authorization is prohibited. Offenders will be held liable for the payment of damages. All rights reserved in the event of the grant of a patent, utility model or design.



Wiring diagramm see sheet 2

Die Montageanleitung 7BC000000 wird elektronisch bereitgestellt.  
 The assembly instruction 7BC000000 is provided in electronic format.

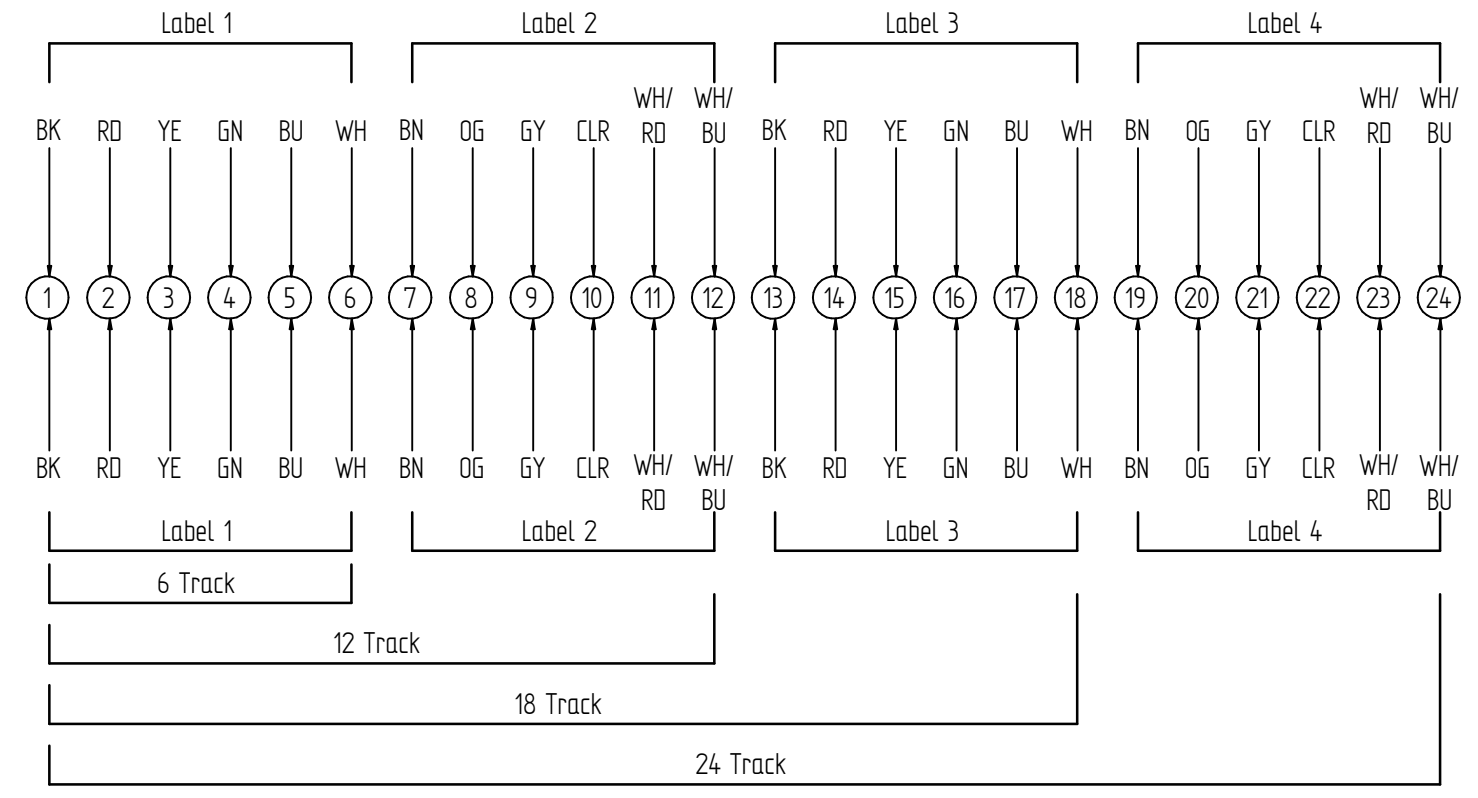
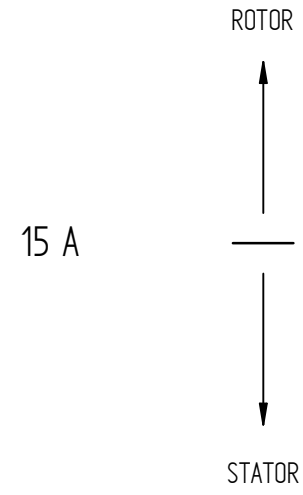
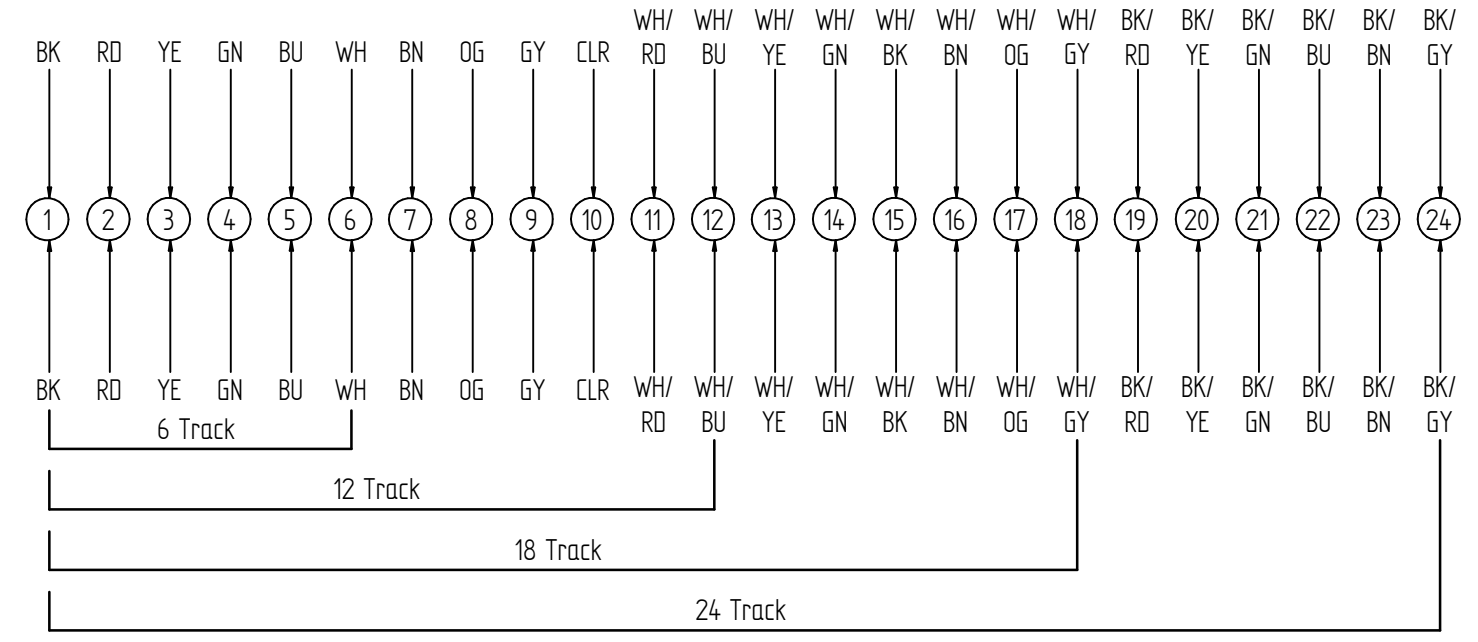
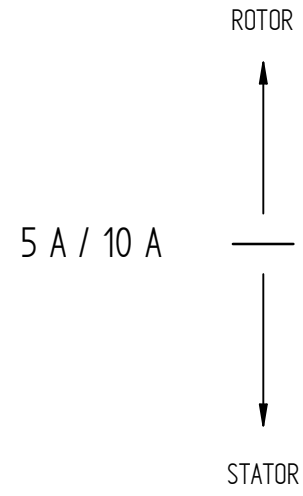
ELECTRONIC & ELECTRIC		MECHANICAL	
Rating Voltage	250 V AC / DC	Working Speed	300 rpm max.
		Inner Diameter	Ø 12,7
		Contact Material	Precious Metals
Current	5 A / Signal	Lead Wire Length	STATOR: 250 mm ROTOR: 250 mm
Track	24	/	/
Insulation Resistance	500 MΩ @ 500 V DC	/	/
ENVIRONMENT		REMARKS	
Working Temperature	-20 °C to +60 °C	Application	see Manual
Working Humidity	≤ 60 % RH	Other	/
Protection Class	IP50	Note:	/

10	1	70C000040	Maverick Schleifring 24-Weg 5A		
Pos.	Anz.	Mat.Nr.	Kurztext	Größe/Abmessung	Werkstoff
1	2	3	4	5	6
DIN ISO 5456-2		TOLERANCES		DIN ISO 13715	
ISO 2768 - mH		$\begin{matrix} +0,3 \\   \\ +0,1 \end{matrix}$ $\begin{matrix} -0,1 \\   \\ -0,3 \end{matrix}$		FINISH	
				SCALE 1:1	
				REFERENCE 2	
				WEIGHT 0,001 kg	
				REFERENCE 1	
STANDARDS			DWG NO		REVISION
ISO 8015 ISO 14405			7KC000040		A1
					FIRST RELEASE 07.12.2021
					DESIGNER CREITER 16.11.2022
					APPROVED AGREPPMAYR 21.11.2022
					CHANGE NO 200120151
					DOCUMENT TYPE Kundenzeichnung
					SHEET 1/2
					DESCRIPTION Maverick Schleifring 24-Weg 5A
					Maverick Slip Ring 24-Track 5A
					SIZE/DIM.
					Draft: 1000953694/D02/000/03
					Modell: 1000953694/D00/000/03
					A3



All drawings are the property of Schleifring GmbH/ Germany and are to be treated as confidential. The reproduction, distribution and utilization as well as the communication of its contents to others without express authorization is prohibited. Offenders will be held liable for the payment of damages. All rights reserved in the event of the grant of a patent, utility model or design.

Cable Table	
Current	Cable
5 A / Signal	AWG17
10 A	
15 A	AWG14



DIN ISO 5456-2 	TOLERANCES ISO 2768 - mH	DIN ISO 13715 	FINISH	SCALE 1:1	REFERENCE 2
STANDARDS ISO 8015 ISO 14405	DWG NO <b>7KLC000040</b>	REVISION <b>A1</b>	MATERIAL	WEIGHT 0,001 kg	REFERENCE 1
	Beschreibung Maverick Schleifring 24-Weg 5A DESCRIPTION Maverick Slip Ring 24-Track 5A SIZE/DIM.	CHANGE NO 200120151	DESIGNER CREITER	FIRST RELEASE 07.12.2021	APPROVED AGREPPMAYR
Draft: 1000953694/002/000/03			Modell: 1000953694/000/000/03		SHEET 2/2